

TITLE: OCCUPANT PROTECTION SYSTEM
INVENTOR: HIROMICHI YOSHIKAWA
Attorney Docket No.: 086142/0603

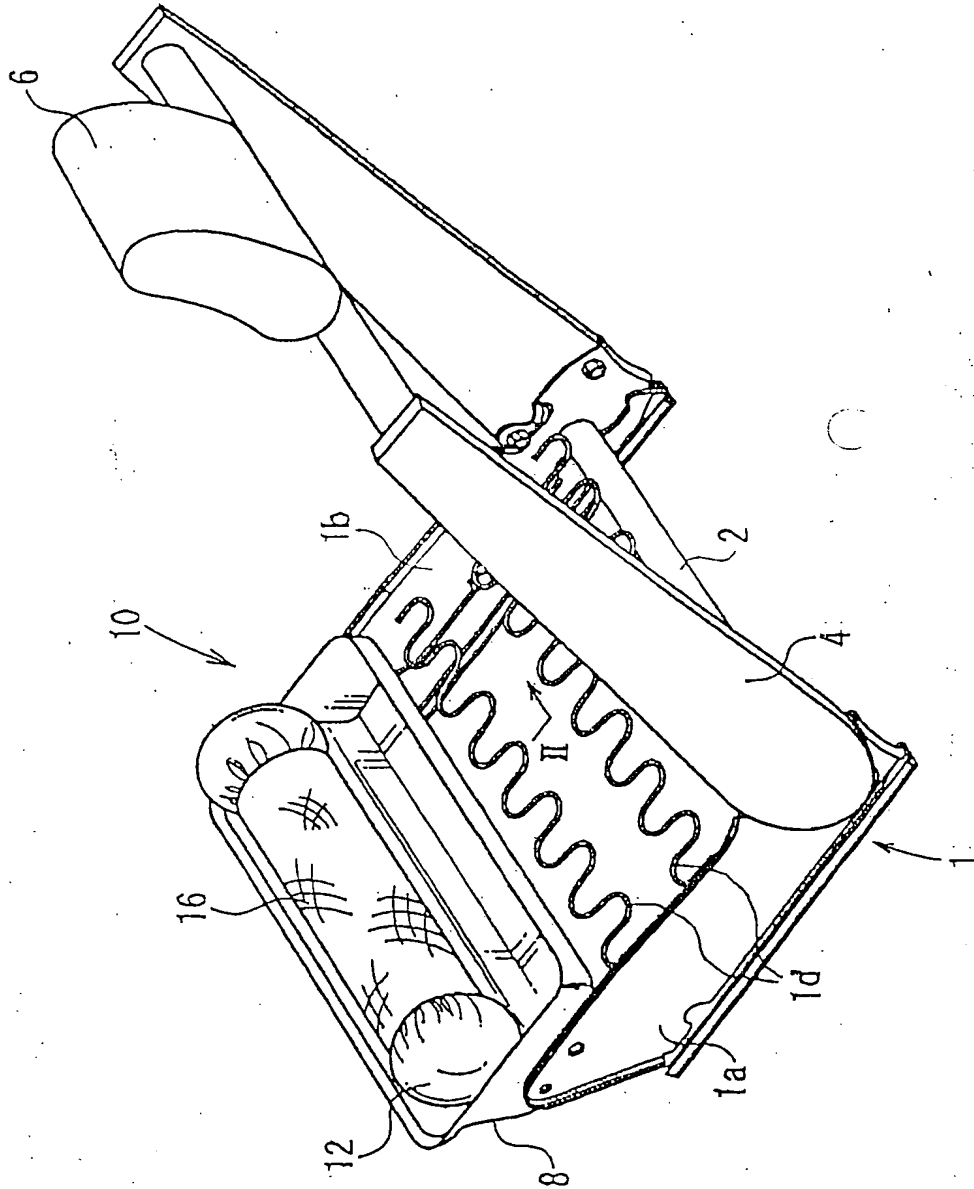


FIGURE 1

TITLE: OCCUPANT PROTECTION SYSTEM
INVENTOR: Hiromichi YOSHIKAWA
Attorney Docket No.: 086142/0603

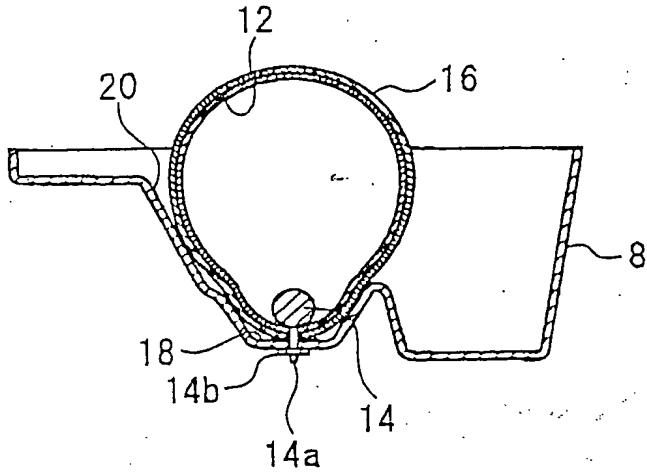


FIGURE 2

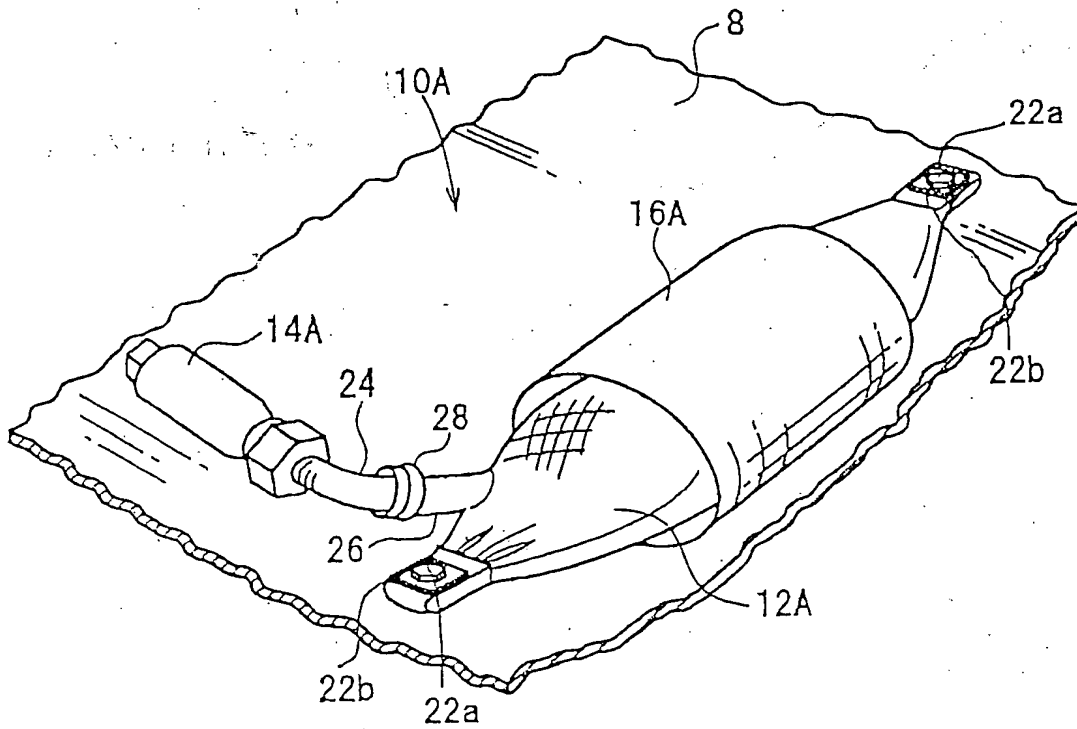


FIGURE 3

TITLE: OCCUPANT PROTECTION SYSTEM
INVENTOR: Hiromichi YOSHIKAWA
Attorney Docket No.: 086142/0603

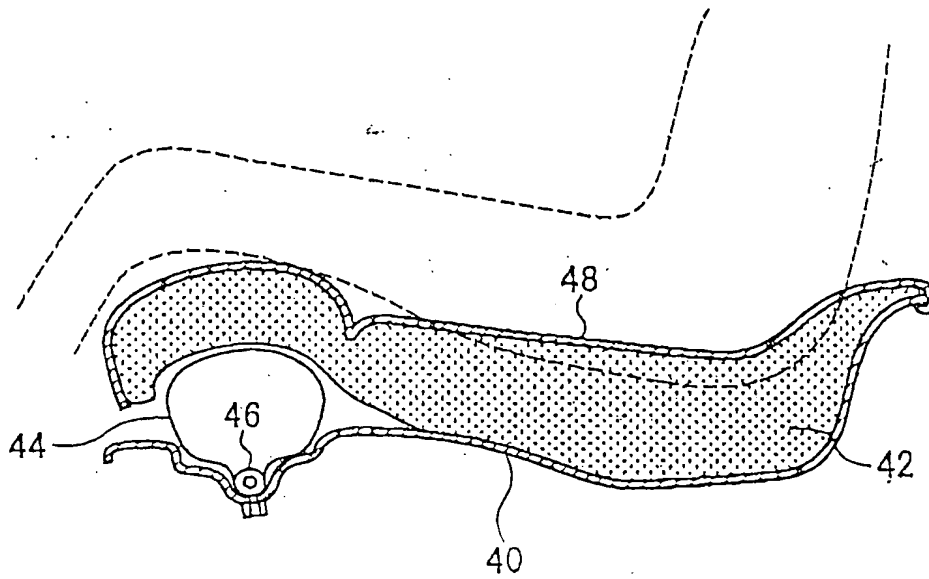


FIGURE 4 - PRIOR ART

TITLE: OCCUPANT PROTECTION SYSTEM
INVENTOR: Hiromichi YOSHIKAWA
Attorney Docket No.: 086142/0603

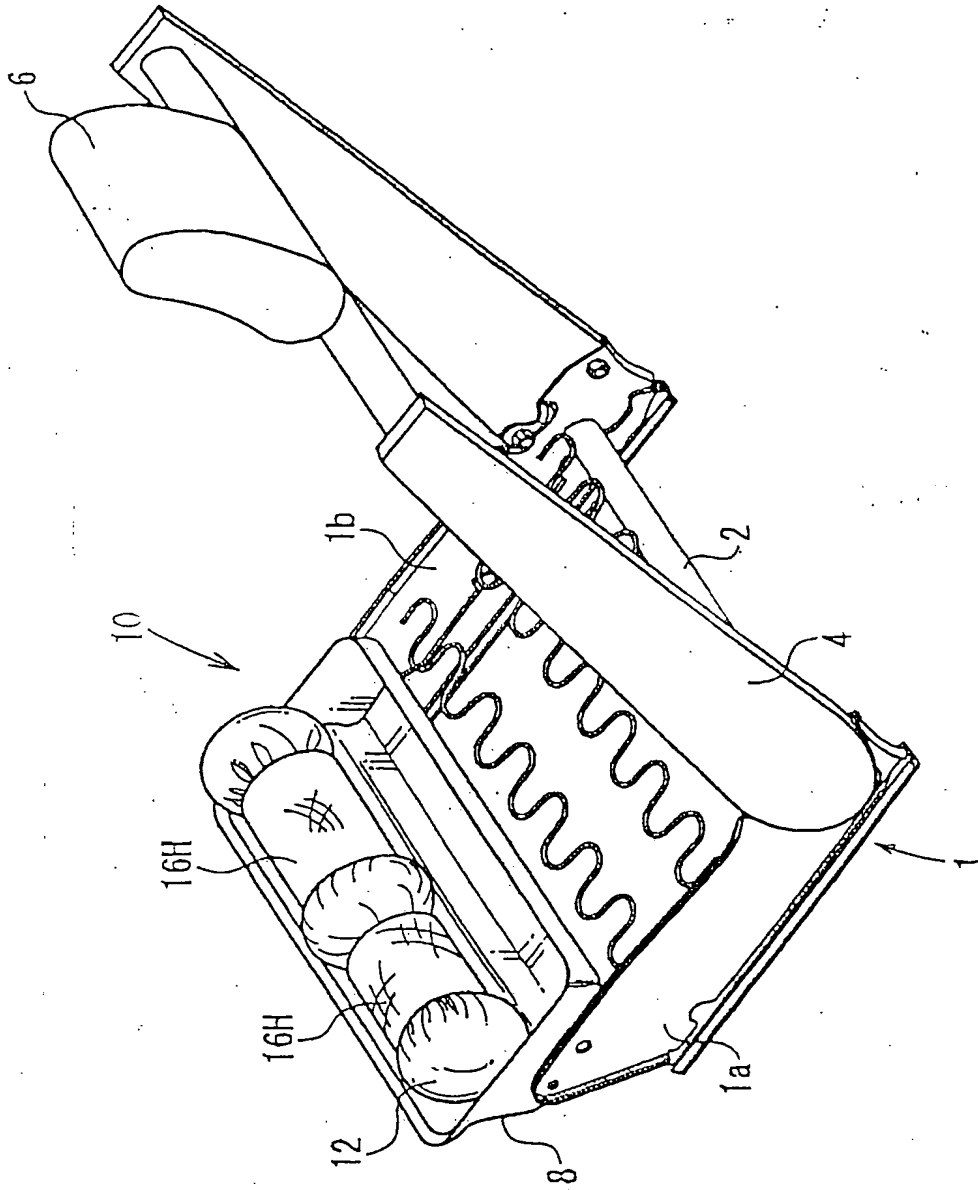


FIGURE 5

TITLE: OCCUPANT PROTECTION SYSTEM
INVENTOR: Hiromichi YOSHIKAWA
Attorney Docket No.: 086142/0603

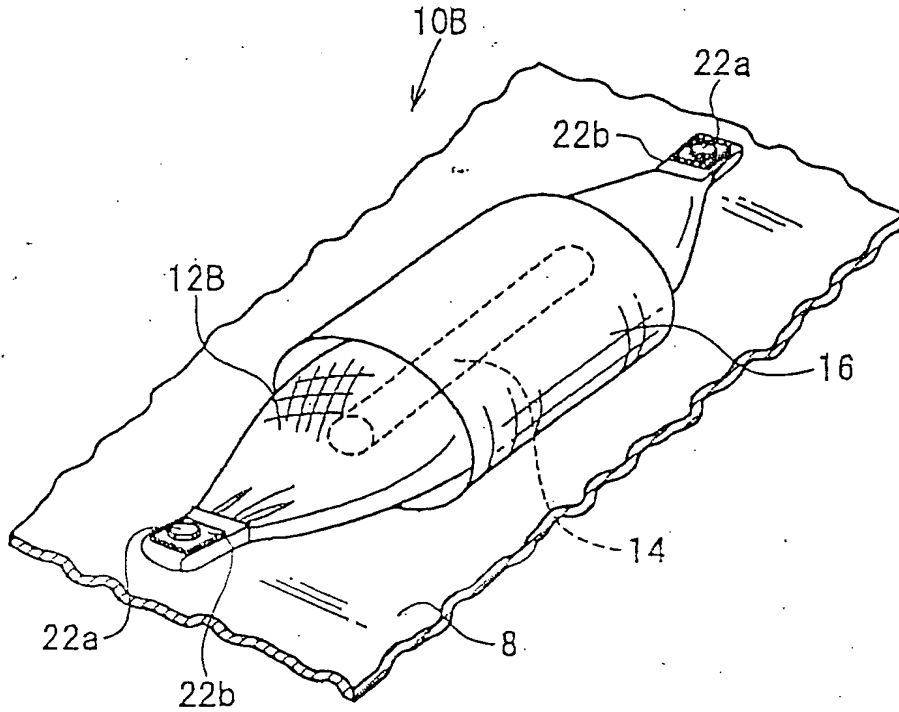


FIGURE 6(a)

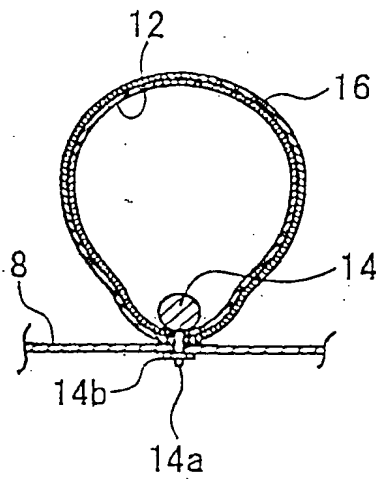


FIGURE 6(b)

TITLE: OCCUPANT PROTECTION SYSTEM
INVENTOR: Hiromichi YOSHIKAWA
Attorney Docket No.: 086142/0603

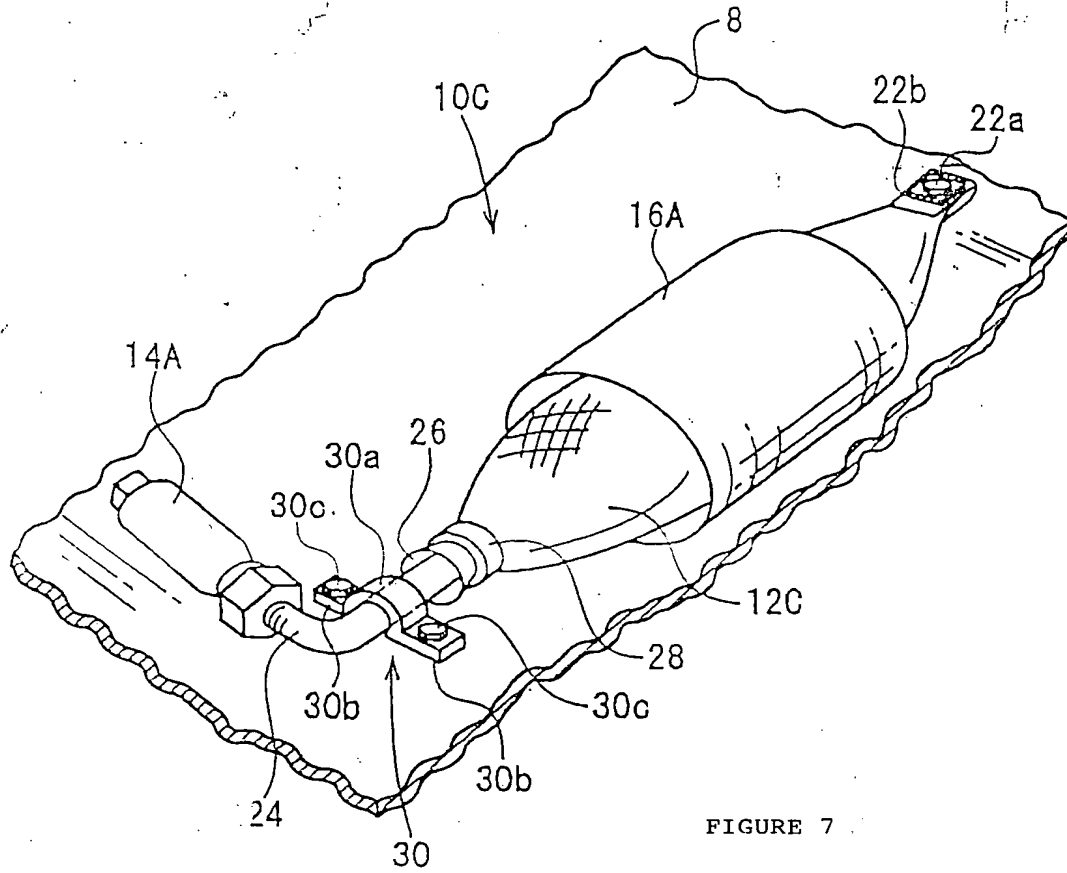


FIGURE 7

TITLE: OCCUPANT PROTECTION SYSTEM
INVENTOR: Hiromichi YOSHIKAWA
Attorney Docket No.: 086142/0603

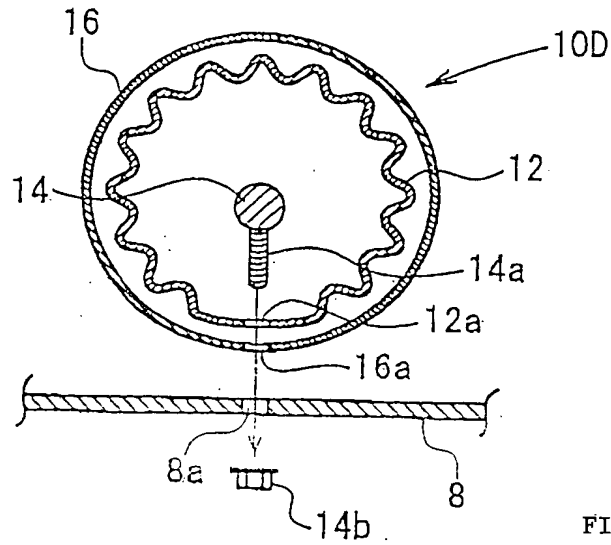


FIGURE 8(a)

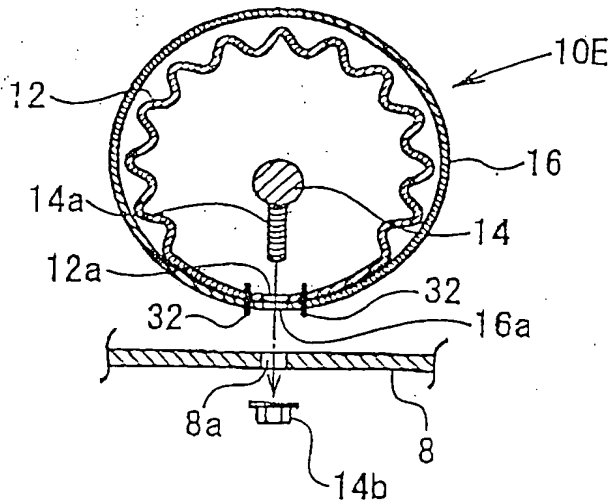


FIGURE 8(b)

TITLE: OCCUPANT PROTECTION SYSTEM
INVENTOR: Hiromichi YOSHIKAWA
Attorney Docket No.: 086142/0603

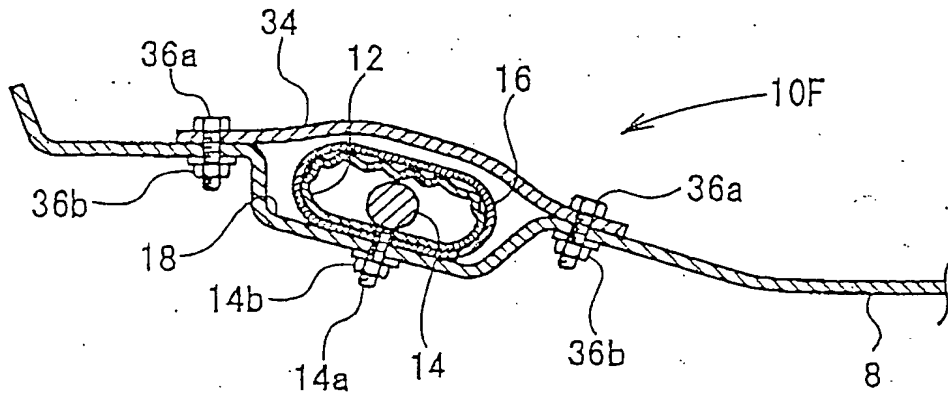


FIGURE 9

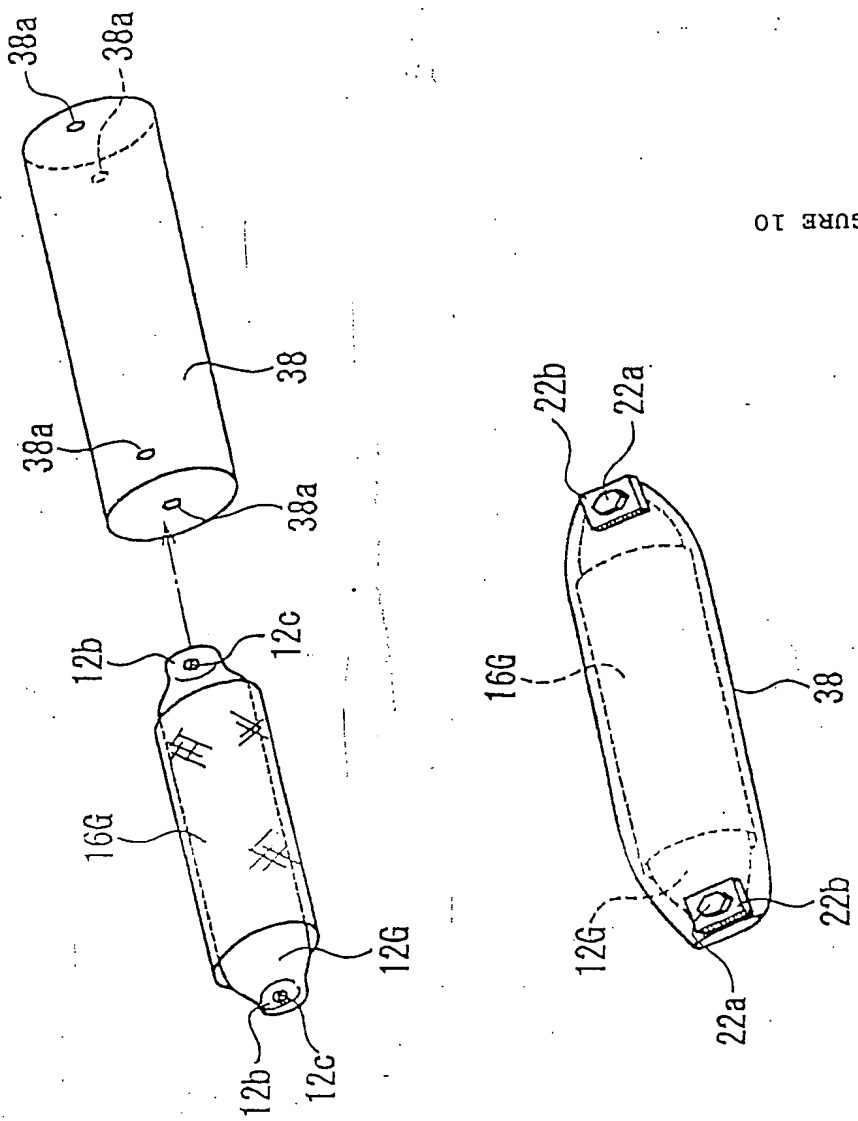


FIGURE 10